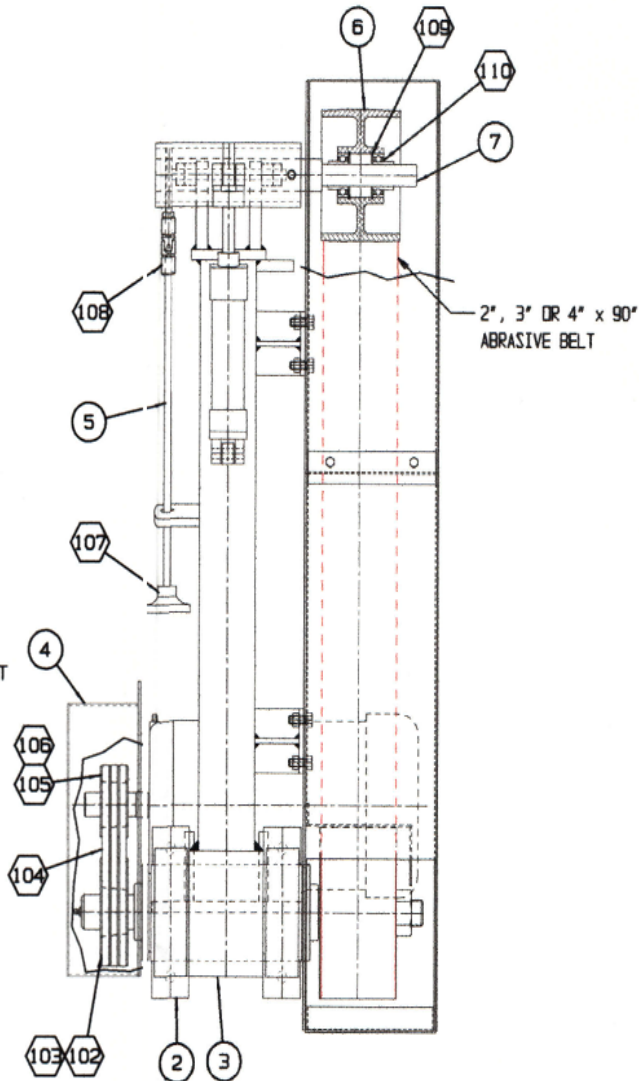
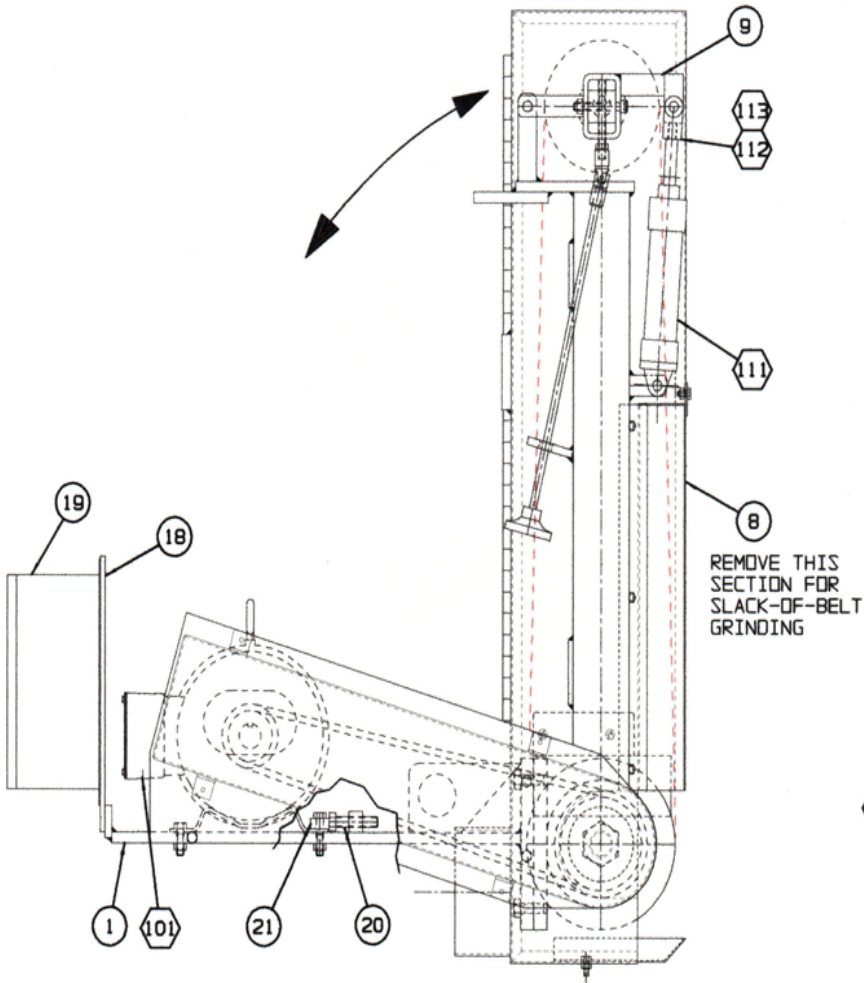
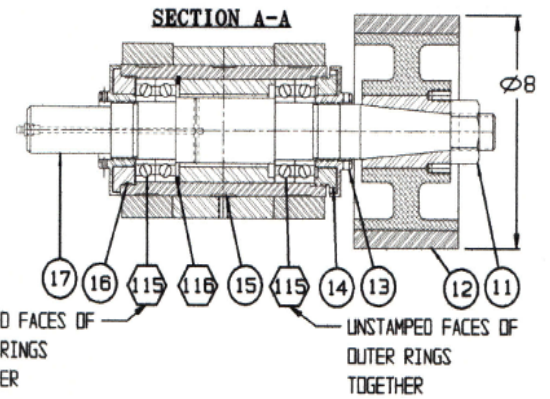
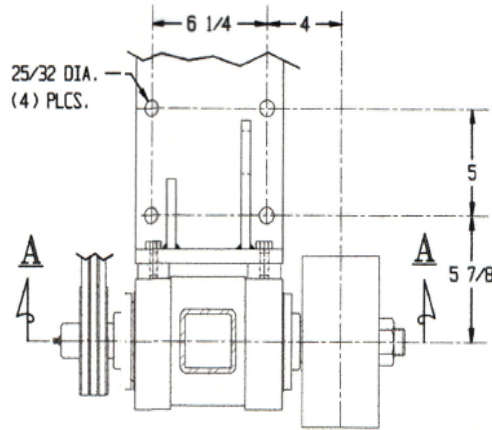
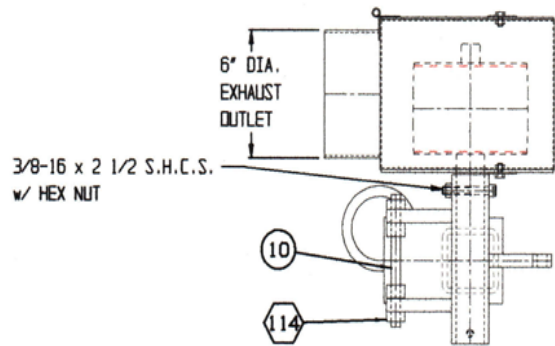


SK-2235  
RG SERIES ROLL GRINDER



ITEM	PART NO.	QTY	DESCRIPTION
1	M-11201-0	1	MOTOR MOUNTING PLATE (5 & 7 1/2 HP ONLY)
1	M-11182-0	1	MOTOR MOUNTING PLATE (10 & 15 HP ONLY)
2	M-11176-C	2	HOUSING SUPPORT
3	M-11442-E	1	TUBULAR MEMBER
4	M-11200-0	1	V BELT GUARD (5 & 7 1/2 HP ONLY)
4	M-11184-0	1	V BELT GUARD (10 & 15 HP ONLY)
5	M-11440-C	1	TRACKING ROD ASSEMBLY
6	M-9426-E-1	1	IDLER PULLEY
7	M-11441-C	1	IDLER SHAFT
8	M-11448-E-2	1	ABR. BELT GUARD
9	M-11439-C	1	SUPPORT HOUSING
10	M-11480-B-3	1	PIVOT SHAFT
11	M-245-A	1	HEX NUT - R.H. THREADS
11	M-1978-A	1	HEX NUT - L.H. THREADS
12	M-11166-C	1	CONTACT WHEEL - 8" DIA.
13	M-11175-C-1	2	NUT - INNER RACE
14	M-11173-C-1	1	NUT - OUTER RACE
15	M-11172-C-1	1	BEARING HOUSING
16	M-11174-C-1	1	RETAINER - OUTER RACE
17	M-11170-C	1	SPINDLE - SPECIFY R.H. OR L.H. THREADS
18	M-11250-EA-1	1	MTG. PLATE - EL. BOX
19	M-11250-EA	1	ELECTRICAL BOX & PANEL
20	M-11438-B-1	1	MOTOR ADJUSTING SCREW
21	SK-1891-1	1	PUSH BAR (5 & 7 1/2 HP ONLY)
21	SK-1891-2	1	PUSH BAR (10 & 15 HP ONLY)
101	TEFC, 3600 RPM	1	MOTOR
102	2/3X5.0-1610	1	SHEAVE (5 & 7 1/2 HP ONLY)
102	3/3X5.0-1610	1	SHEAVE (10 & 15 HP ONLY)
103	1610-1 5/8	1	TAPER LOCK BUSHING
104	3VX530	2	V BELTS (5 & 7 1/2 HP ONLY)
104	3VX500	3	V BELTS (10 & 15 HP ONLY)
105	2/3X3.65-1610	1	SHEAVE (5 & 7 1/2 HP ONLY)
105	3/3X3.65-1610	1	SHEAVE (10 & 15 HP ONLY)
106	1610-1 1/8	1	T.L. BUSHING (5 HP ONLY)
106	1610-1 3/8	1	T.L. BUSHING (7 1/2, 10 & 15 HP ONLY)
107	CL-13-PHK	1	HAND KNOB
108	M-11468-B	1	UNIVERSAL JOINT
109	N5000-206	2	SNAP RING
110	YAI00 RR	2	BALL BEARING
111	MP-2	1	AIR CYL. (2" BORE x 4" STROKE)
112	RC-0500	1	ROD END CLEVIS
113	PP-0500	1	PIVOT PIN
114	1/2 DIA.	2	SHAFT COLLAR
115	210HDL	2 PR	BALL BEARING
116	N5000-354	1	SNAP RING