

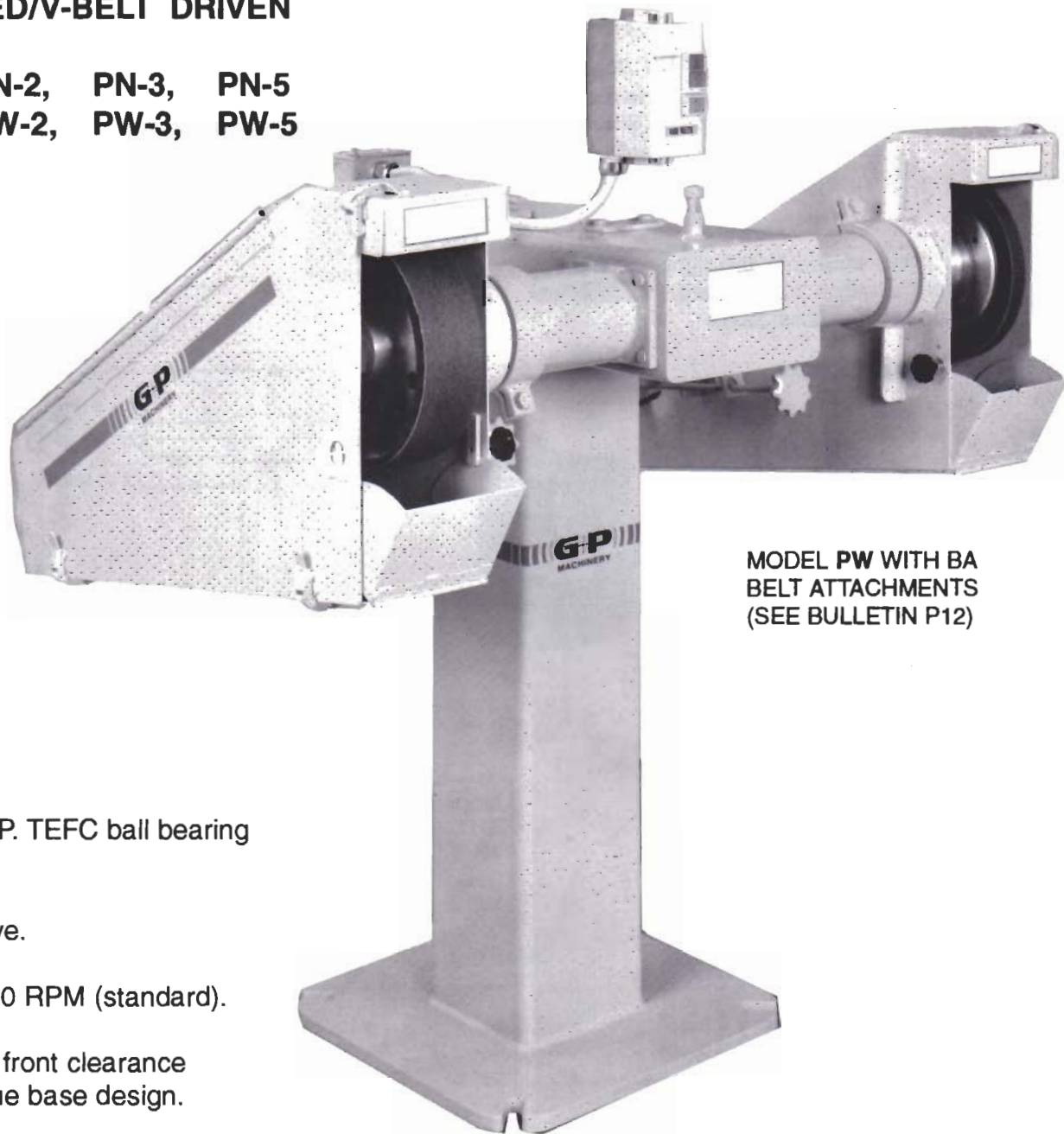


GP
MACHINERY

SPINDLE STANDS

SINGLE SPEED/V-BELT DRIVEN

MODELS PN-2, PN-3, PN-5
 PW-2, PW-3, PW-5



MODEL PW WITH BA
BELT ATTACHMENTS
(SEE BULLETIN P12)

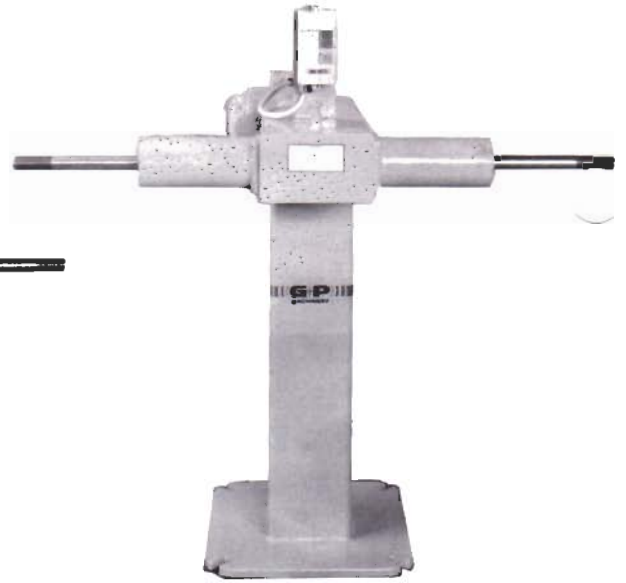
Standard Features:

- 2, 3, or 5 H.P. TEFC ball bearing motors.
- Vee belt drive.
- 1200 or 1800 RPM (standard).
- Exceptional front clearance due to unique base design.
- Magnetic push button starter.
- Long spindles available for use with Wolf-Head sanding wheels, pneumatic drums or other sanding/polishing wheels.
- Short spindles for BA belt attachment or other applications.
- Spindle lock for easy wheel change.

PN & PW SERIES SPINDLE STANDS

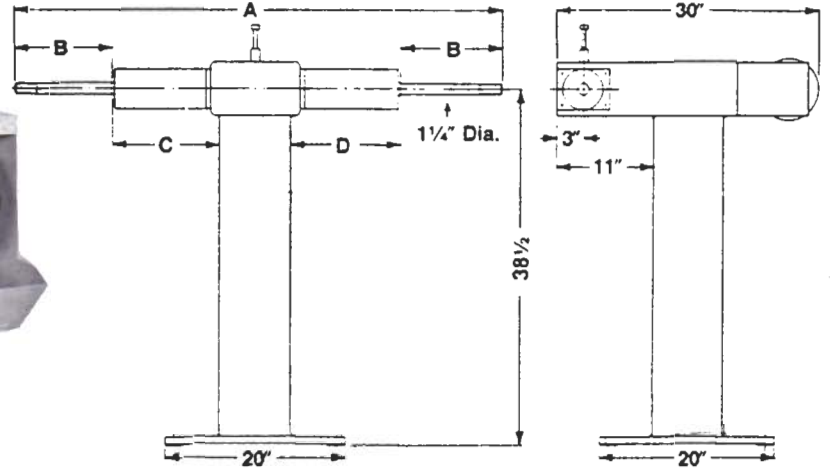
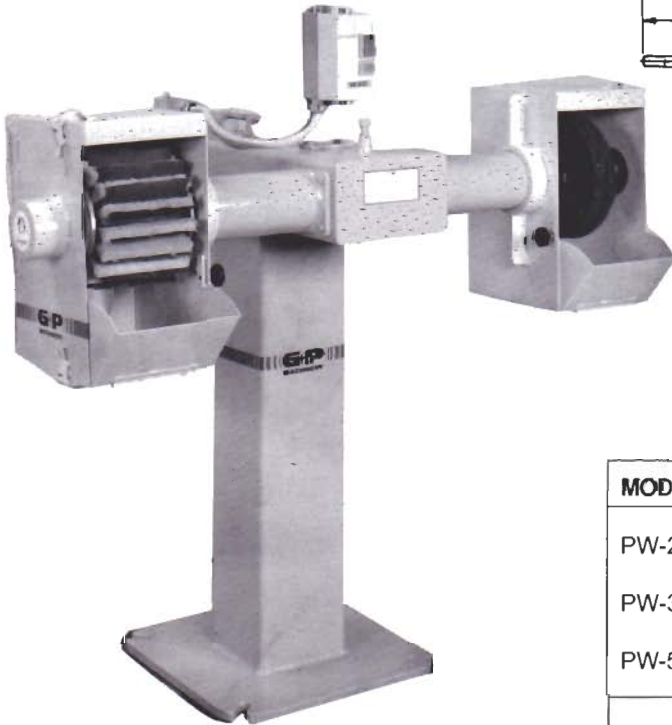
NEVER OPERATE SPINDLE STANDS WITHOUT PROPER GUARDING.

Model PN (Narrow Type) requires minimum amount of space. Shorter overall spindle length.



The machines shown to the right are without guards for illustration purposes only. Guards are sold separately as shown below.

Model PW (Wide Type) provides maximum spindle clearance. Ideal for applications requiring an operator working at each spindle.



Model PW with wheel guards ordered separately. Specify wheel size when ordering guards.

MODEL	H.P.	RPM	DIM A	DIM B	DIM C	DIM D
PW-2	2	1200	54" w Long Spindle-both ends	11" long 5" short	12"	12"
PW-3	3	or	42" w Short Spindle-both ends			
PW-5	5	1800				
PN-2	2	1200	37 1/4" w Long Spindle-both ends	11" long 5" short	3 9/16"	3 9/16"
PN-3	3	or	25 1/4" w Short Spindle-both ends			
PN-5	5	1800				

Specifications subject to change without notice.



GRINDING & POLISHING MACHINERY CORPORATION

2801 TOBEY DRIVE / INDIANAPOLIS, IN 46219-1481

PHONE (317) 898-0750

FAX (317) 899-1627

MACHINERY

Printed in U.S.A.