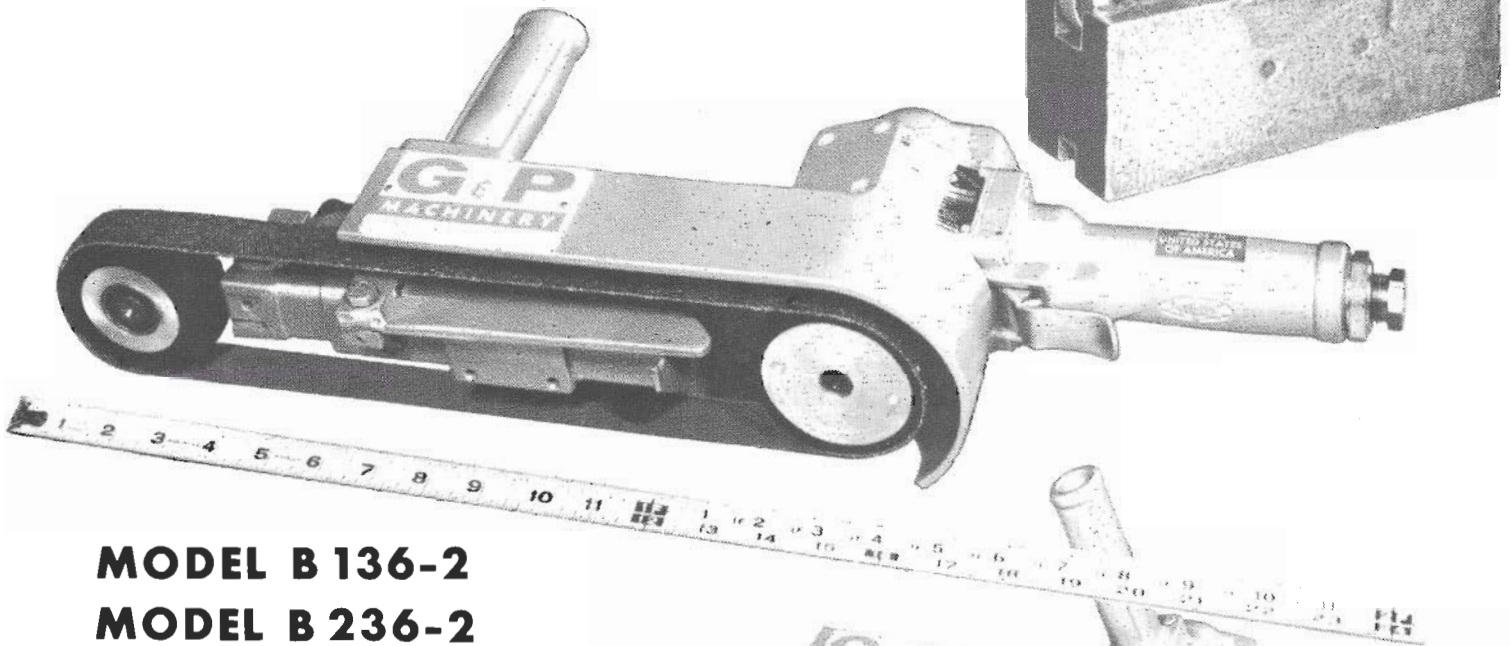


# PORTABLE ABRASIVE BELT GRINDER

BULLETIN AP-1



**MODEL B 136-2**  
**MODEL B 236-2**  
**EXTRA POWERFUL**  
**EASY TO HANDLE**  
**MANEUVERABLE**

CONTACT WHEEL GRINDING --  
FOR RAPID STOCK REMOVAL

SLACK OF BELT POLISHING --  
FOR FINE FINISH

MODEL B 136-2 CAN EASILY GRIND IN  
LESS THAN 2" OPENING:

6000 RPM 2 H.P.\* Air Motor

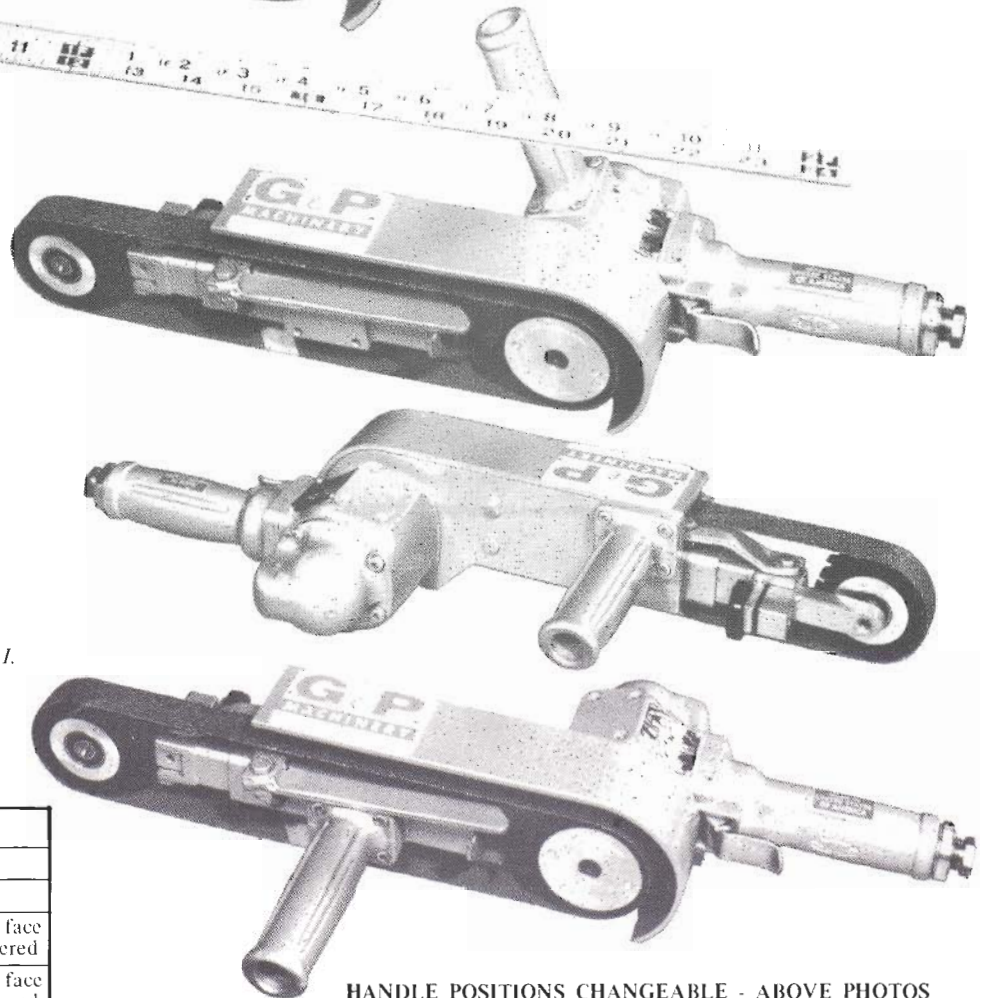
*\*1.9 H.P. Developed When Operating At 90 P.S.I.*

*Volume Of Air 40 Cu. Ft. Per Min.*

*1/2" Air Line Recommended*

**SPECIFICATIONS:**

MODEL	B136-2	B236-2
Belt Size	1" x 36"	2" x 36"
Belt Speed	4700 SFPM	4700 SFPM
Contact Wheel	3" dia. x 1" face Rubber Covered	3" dia. x 2" face Rubber Covered
Drive Pulley	3" dia. x 1" face Rubber Covered	3" dia. x 2" face Rubber Covered
Weight	13½#	17#



HANDLE POSITIONS CHANGEABLE - ABOVE PHOTOS  
SHOW HANDLES IN THREE DIFFERENT POSITIONS.



GRINDING & POLISHING MACHINERY CORP.  
2801 TOBEY DRIVE, INDIANAPOLIS, IN 46219  
PHONE - 317-898-0750

**MACHINERY**

PRINTED IN U.S.A.